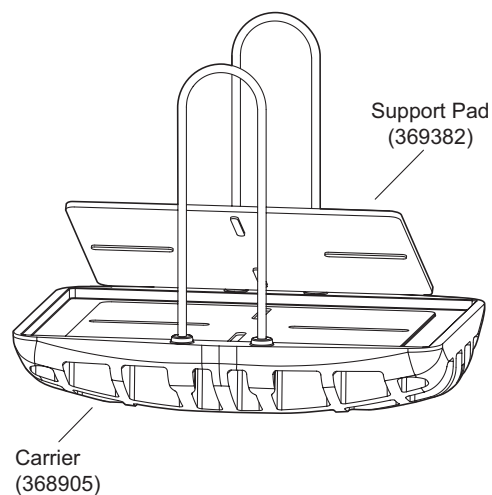


Labware Carriers Used in the JS-5.3 Rotor

DESCRIPTION

These high-impact thermoplastic carriers provide support to labware during centrifugation and facilitate loading and unloading of the JS-5.3 rotor buckets. Each rotor bucket can carry a 96-well kit for high-throughput processing (such as a DNA or RNA kit), or standard microplates used in the serial dilution of small liquid volumes—up to six (stacked) 96-well polypropylene plates, two (stacked) deep-well plates, or one square-well plate per bucket.

Refer to the rotor manual (J-TB-089) for use and care instructions for the JS-5.3 rotor and accessories.



Carrier and Support Pad

OPERATION

You can load buckets before or after they are installed on the rotor yoke. In either case, we recommend filling the appropriate labware first and then loading it into the buckets.

NOTE

When using stacked microplates, place a support pad (369382) beneath the bottom plate to prevent breakage during centrifugation. Use the support pad beneath all polystyrene plates.

1. If using stacked microplates, place a support pad in the carrier with the ridged-cross side down.
2. Place the filled labware in the carrier. If using more than one microplate per carrier, place a cap strip between the plates to prevent breakage during centrifugation.
3. After centrifugation, grasp the carrier by the wire handles and lift it straight up out of the bucket to unload it.

CARE AND MAINTENANCE

Cleaning

Wash the carriers and support pads in a mild detergent, such as Beckman Solution 555™ (339555), diluted 10 to 1 with water.

Decontamination

If components are contaminated with toxic or pathogenic materials, follow appropriate decontamination procedures as directed by your laboratory safety officer.

Sterilization and Disinfection

The carriers and support pads can be autoclaved at 121°C for up to 15 minutes. Cold sterilization and disinfection methods, such as ethanol* (70%) or hydrogen peroxide (6%), may be used.

While Beckman Coulter has tested these methods and found that they do not damage the rotor or components, no guarantee of sterility or disinfection is expressed or implied. When sterilization or disinfection is a concern, consult your laboratory safety officer regarding proper methods to use.

SUPPLY LIST

Microplate carrier kit	368914
Contains:	
Microplate carrier (set of 4)	368905
Support pad (set of 4)	369382
Beckman Solution 555 (1 qt)	339555

* Flammability hazard. Do not use in or near operating centrifuges.